

PERFORMANCE*

Operating Voltage	12-24 VDC
Duty Cycle	Continuous, intermittent and pulse
Durability	1X10 ⁷ operations
Stroke	Varies with size
Force	Varies with size and duty cycle

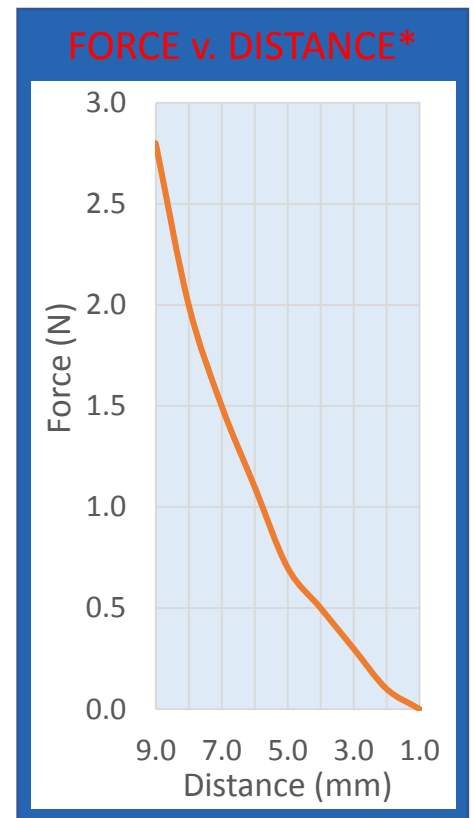
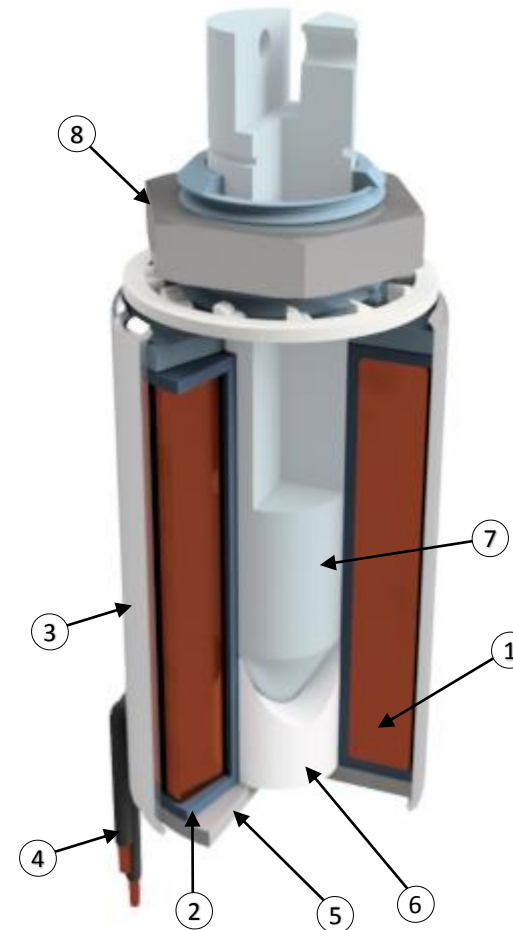
PACKAGE SIZE

Length x Width x Height or diameter	Choose to suit (1.5"X0.75") to (2.6"X1.5") closed frame cylindrical or open frame rectangular
-------------------------------------	---

CAPABILITY

1	Coil	Wound magnet wire; 20 - 35 AWG, Insulation rating up to 200°C
2	Bobbin	Thermoplastic
3	Flux Carrier	Low carbon steel or carbon steel bar
4	Termination	Wrap and solder
5	Flux Washer	Low carbon steel or carbon steel bar
6	Armature	Low carbon steel or carbon steel bar
7	Pole Piece	Low carbon steel or carbon steel bar
8	Mounting Hardware	Panel nut & lock washer (cylindrical) or chassis mount (rectangular)

Choose from over 50 immediately available or short lead time solenoids to suit intended applications.



* Performance data is provided for reference purposes only and will vary based on application